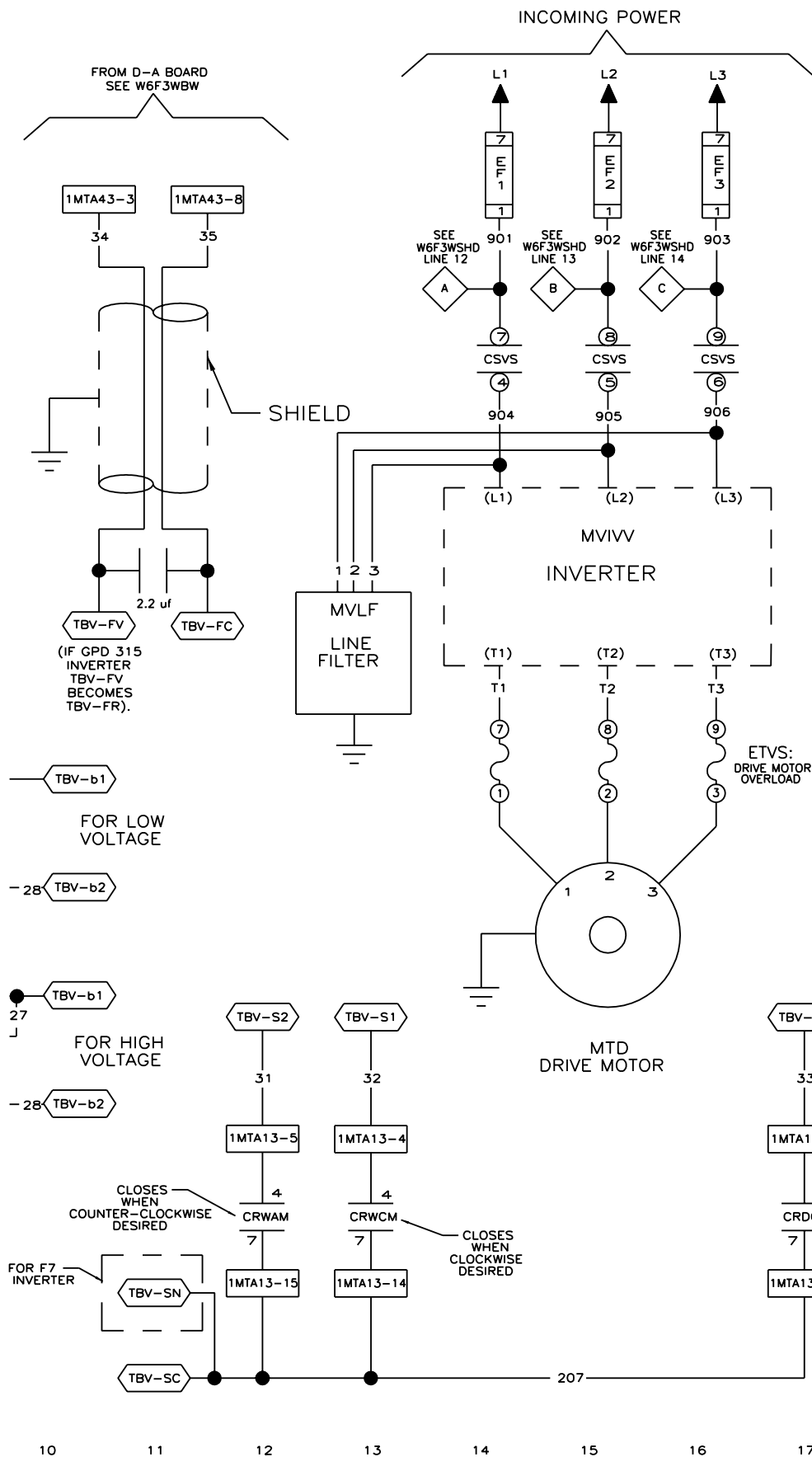


EA06	—
	S+B05
	I105

W6F3WSS+C
2005042B



W6F3WSS+C
 MICRO 6 SYSTEMS MARK V
 SCHEMATIC: 3-WIRE CIRCUIT
 FOR 3630 F8P/F8W ONLY
 MODIFIED FOR GPD505, 506.F7 OR 315 INVERTER
 220V1P50HZ/240V1P60HZ
 PELLERIN MILNOR CORPORATION

NOTE:
TBV IS LOCATED ON THE
VARIABLE SPEED CONTROLLER.